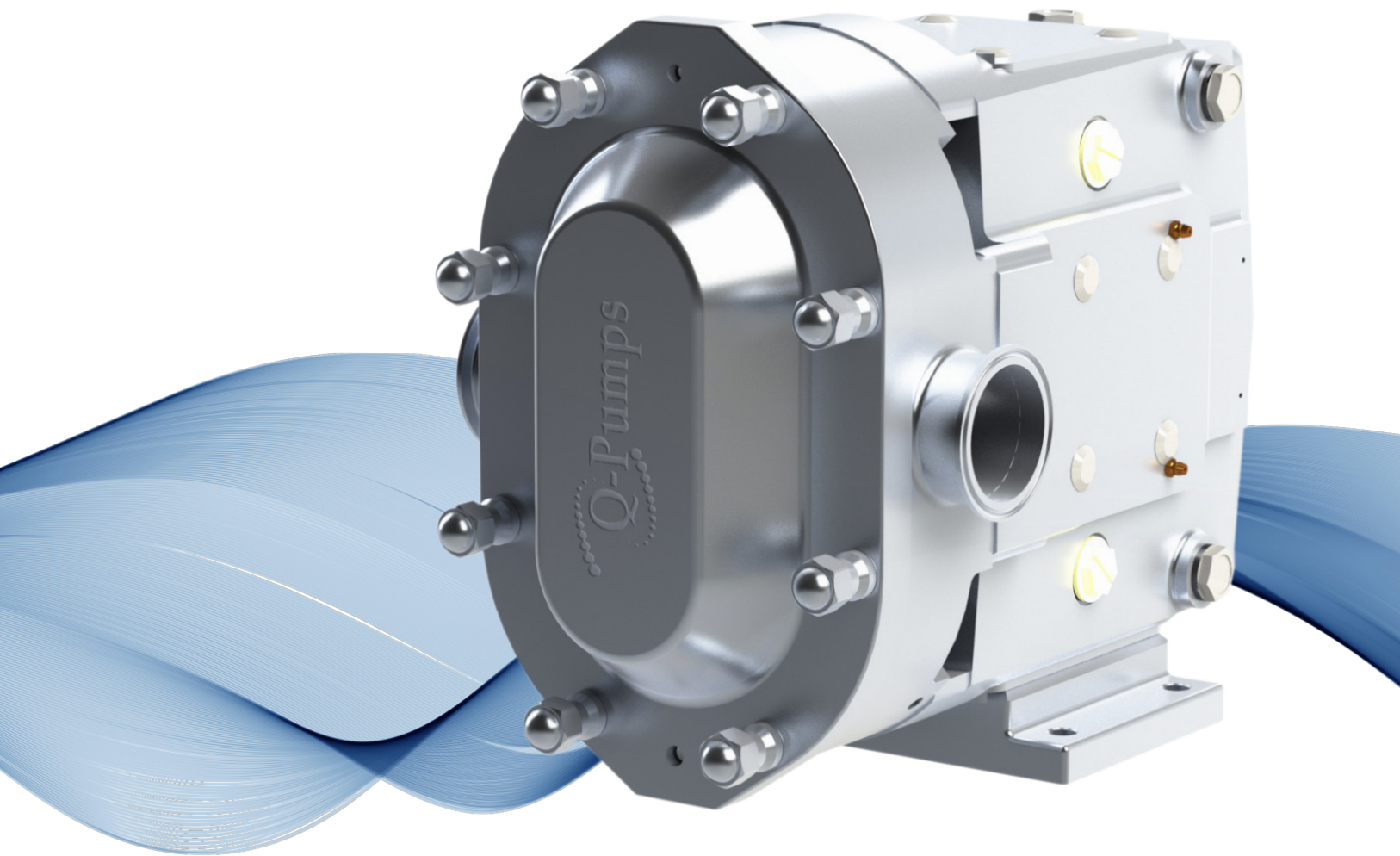


# QP SERIES

INTERCHANGEABLE CIRCUMFERENTIAL PISTON PUMPS



# QP SERIES

QP1 and QP2 pump series are 100% dimensionally and hydraulically interchangeable with other brands in the market. Unlike the competition, Q-Pumps supplies the pump with a 304 stainless steel gearbox, without this great advantage implying an increase in the final price of the equipment.



3-A & EHEDG certified.

**Q** 312 gpm / 1173 lpm

**μ** up to 1000000 cP

**P** 500 psi / 34.5 bar  
1155 ft / 352 m

**T** 150 °C / 302 °F

## CHARACTERISTICS

- Gearbox made of stainless steel, which makes it more resistant than conventional cast-iron gearboxes.
- 304 stainless steel seals.
- Helical gears
- Flexibility for 4 mounting positions.
- Solid 17-4 ph stainless steel shafts.
- Grease fittings on both sides.
- Antimicrobial lubricant.
- Alloy 88 rotors
- 6 threaded oil plugs with glass peepholes.
- Self-cleaning packages in the plugs.



## ADVANTAGES:

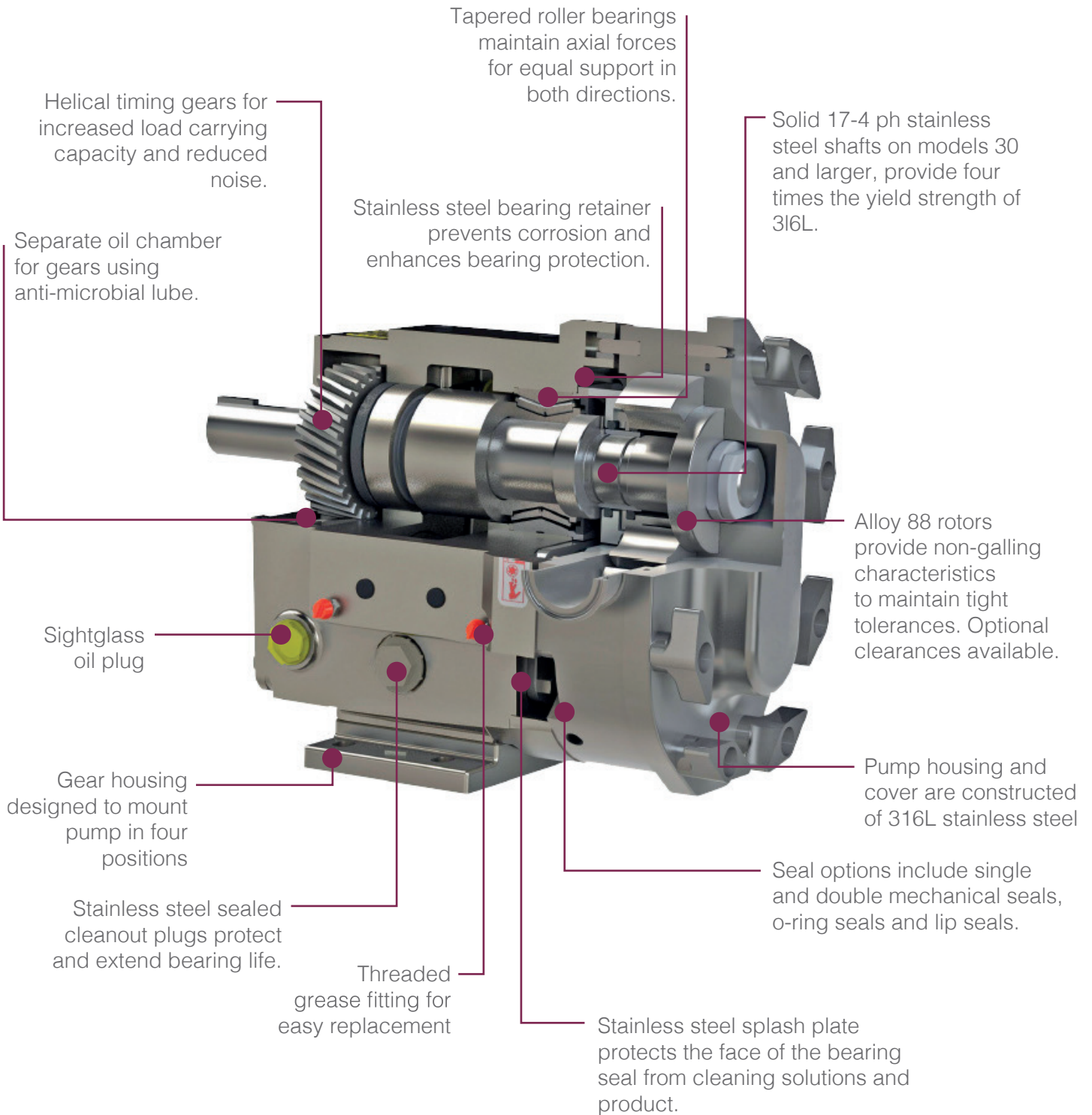
Q-Pumps circumferential piston pumps are designed to cover all hygienic pumping applications in the food, dairy, beverage, pharmaceutical and other industries.

Due to its reduced internal tolerances it has a wide range of applications, from low viscosity products such as water, to highly viscous products such as toothpaste.

- The oil-seal is made of stainless steel which prevents oxidation.
- High-torque shafts made of one alloy makes them more resistant.
- Self-cleaning gaskets.
- 100% interchangeable and compatible with other series in the market
- Remanufacturing program\*: Reconditioned pumps with a one-year warranty.



# UNIVERSALLY INTERCHANGEABLE



## QP2 SERIES

QP2 Series with its stainless steel gearcase are built for CIP-ability with enclosed rotor nuts, can handle higher pressures with its larger 17-4ph stainless steel shafts and are capable of withstanding pressures of up to 500 PSI.

- Larger shafts to increase pump life.
- Cost and time savings due to its CIP capacity.
- Designed for Clean In Place.
- 3-A Certified.

## APPLICATIONS



# TECHNICAL DATA

## QP1 PUMP PERFORMANCE

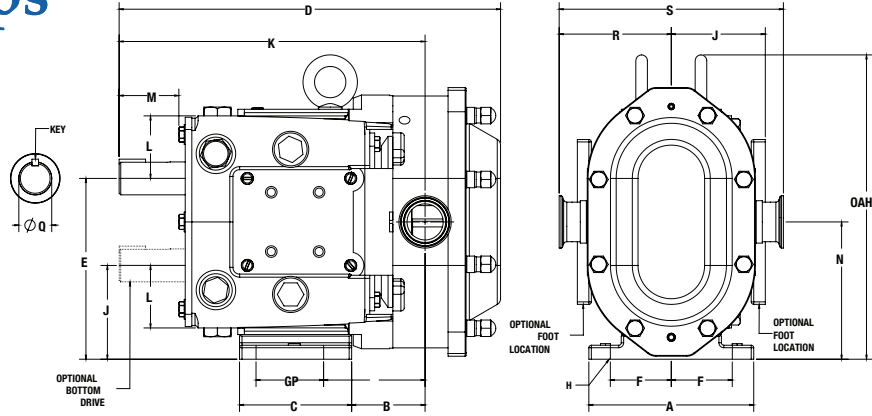
	Nominal Capacity		Displacement		Maximum Differential Pressure		Standard Connection Size		Optional Connection Size		Maximum Speed RPM	Temperature Range	
	GPM	LPM	Gal / Rev	L / Rev.	PSI	Bar	in.	mm	in.	mm		°F	°C
6	7	24.8	0.0082	0.031	200	13.8	1	25	1½"	38	800	-40° a 300°	-40° a 149°
15	10	37.6	0.0142	0.054	200	13.8	1½"	38	-	-	700		
18	17	65.9	0.029	0.110	200	13.8	1½"	38	2"	51	600		
30	36	136.3	0.060	0.227	200	13.8	1½"	38	2"	51	600		
40	46	172.6	0.076	0.288	150	10.3	2"	51	2½"	64	600		
60	92	347.5	0.153	0.579	200	13.8	2½"	64	3"	76	600		
130	152	576.8	0.254	0.961	200	13.8	3"	76	-	-	600		
220	313	1185.5	0.522	1.976	200	13.8	4"	102	-	-	600		
320	452	1712.3	0.754	2.854	200	13.8	6"	152	-	-	600		
323	370	1398.9	0.616	2.332	225	15.5	6"	152	-	-	600		

	Nominal Capacity		Displacement		Maximum Differential Pressure		Rectangular Inlet (A x L)		Download		Maximum Speed RPM	Temperature Range	
	GPM	LPM	Gal / Rev	L / Rev.	PSI	Bar	in.	mm	in.	mm		°F	°C
34	24	90.8	0.060	0.227	200	13.8	1.75 x 6.75	44 x 171	2"	51	400	-40° a 300°	-40° a 149°
64	61	231.6	0.153	0.579	200	13.8	2.24 x 8.82	57 x 224	2½" (3")	64 (76)	400		
134	102	384.6	0.254	0.961	200	13.8	2.97 x 9.25	75 x 235	3"	76	400		
224	208	788.8	0.521	1.972	200	13.8	3.78 x 11	98 x 279	4"	102	400		
324	301	1139.2	0.754	2.854	200	13.8	5.00 x 17.38	127 x 441	6"	152	400		

## QP2 PUMP PERFORMANCE

	Nominal Capacity		Displacement		Maximum Differential Pressure		Standard Connection Size		Optional Connection Size		Maximum Speed RPM	Temperature Range	
	GPM	LPM	Gal / Rev	L / Rev	PSI	Bar	in.	mm	in.	mm		°F	°C
6	8	31.0	0.0082	0.031	300	20.7	1"	25	1½"	38	1000	-40° a 300°	-40° a 149°
15	11	43.0	0.0142	0.054	250	17.2	1½"	38	-	-	800		
18	20	76.8	0.029	0.110	200	13.8	1½"	38	2"	51	700		
30	36	136.3	0.060	0.227	250	17.2	1½"	38	2"	51	600		
40	46	172.6	0.076	0.288	150	10.3	2"	51	2½"	64	600		
45	59	222.6	0.098	0.371	450	31.0	2"	51	-	-	600		
60	92	347.5	0.153	0.579	300	20.7	2½"	64	3"	76	600		
130	152	576.8	0.254	0.961	200	13.8	3"	76	-	-	600		
180	228	863.0	0.380	1.438	450	31.0	3"	76	-	-	600		
210	301	1140.0	0.502	1.900	500	34.5	4"	102	-	-	600		
220	313	1185.5	0.522	1.976	300	20.7	4"	102	-	-	600		
320	452	1712.3	0.754	2.854	300	20.7	6"	152	-	-	600		

	Nominal Capacity		Displacement		Maximum Differential Pressure		Rectangular Inlet (A x L)		Download		Maximum Speed RPM	Temperature Range	
	GPM	LPM	Gal / Rev	L / Rev	PSI	Bar	in.	mm	in.	mm		°F	°C
34	24.0	90.8	0.060	0.227	250	17.2	1.81 x 6.84	44 x 174	2"	51	400	-40° a 300°	-40° a 149°
64	61.2	231.6	0.153	0.579	300	20.7	2.44 x 9.0	62 x 229	2½" (3")	64 (76)	400		
134	101.6	384.6	0.254	0.961	200	13.8	3.19 x 9.38	81 x 238	3"	76	400		
224	208	788.8	0.521	1.972	300	20.7	4.06 x 11.25	103 x 286	4"	102	400		
324	401	1517.7	0.752	2.847	300	20.7	4.25 x 12.7	108 x 322.5	6"	152.4	400		



**QP1 DIMENSIONS**

Model QP1		A	B	C	D	E	F	G	H	J	K
6	IN	4.75	1.95	3.75	12.04	5.50	1.94	2.31	.41, SLOT	2.93	9.61
	MM	.21	50	95	306	140	49	59	10, SLOT	74	244
15	IN	4.75	1.95	3.75	12.04	5.50	1.94	2.31	.41, SLOT	2.93	9.61
	MM	121	50	95	306	140	49	59	10, SLOT	74	244
18	IN	4.75	2.18	3.75	12.46	5.50	1.94	2.31	.41, SLOT	2.93	9.84
	MM	121	55	95	316	140	49	59	10, SLOT	74	250
30	IN	6.25	2.78	4.25	14.58	6.86	2.31	2.56	.41, SLOT	3.56	11.61
	MM	159	71	108	370	174	59	65	10, SLOT	90	295
40	IN	6.25	2.94	4.25	14.96	6.86	2.31	2.56	.41, SLOT	3.56	11.99
	MM	159	75	108	380	174	59	65	10, SLOT	90	305
60	IN	8.25	4.14	5.87	18.91	9.56	3.50	4.12	0.53	5.06	15.14
	MM	210	105	149	480	243	89	105	13	129	385
130	IN	8.25	4.78	5.87	19.85	9.56	3.50	4.12	0.53	5.06	15.77
	MM	210	121	149	504	243	89	105	13	129	401
220	IN	8.50	3.69	9.00	23.37	12.38	3.75	7.25	.53, SLOT	6.38	18.49
	MM	216	94	229	594	314	95	184	13 SLOT	162	470
320	IN	12.00	4.12	11.63	30.17	13.88	5.25	8.00	.66, SLOT	6.88	21.92
	MM	305	105	295	766	353	133	203	17 SLOT	175	557
323	IN	12.00	4.12	11.63	30.17	13.88	5.25	8.00	.66, SLOT	6.88	21.92
	MM	305	105	295	766	353	133	203	17 SLOT	175	557

**QP2 DIMENSIONS**

Model QP2		A	B	C	D	E	F	G	H	J	K
6	IN	4.75	1.95	3.75	11.80	5.50	1.94	2.31	.41, SLOT	2.93	9.61
	MM	1.21	50	95	300	140	49	59	10, SLOT	74	244
15	IN	4.75	1.95	3.75	11.80	5.50	1.94	2.31	.41, SLOT	2.93	9.61
	MM	121	50	95	300	140	49	59	10, SLOT	74	244
18	IN	4.75	2.18	3.75	12.49	5.50	1.94	2.31	.41, SLOT	2.93	9.84
	MM	121	55	95	317	140	49	59	10, SLOT	74	250
30	IN	6.25	2.78	4.25	14.58	6.86	2.31	2.56	.41, SLOT	3.56	11.61
	MM	159	71	108	370	174	59	65	10, SLOT	90	295
40	IN	6.25	2.94	4.25	14.87	6.86	2.31	2.56	.41, SLOT	3.56	11.99
	MM	159	75	108	380	174	59	65	10, SLOT	90	305
45	IN	8.25	3.86	5.87	18.56	9.56	3.50	4.12	0.53	5.06	14.86
	MM	210	98	149	471	243	89	105	13	129	377
60	IN	8.25	4.14	5.87	19.32	9.56	3.50	4.12	0.53	5.06	15.14
	MM	210	105	149	491	243	89	105	13	129	385
130	IN	8.25	4.78	5.87	20.33	9.56	3.50	4.12	0.53	5.06	15.77
	MM	210	121	149	516	243	89	105	13	129	401
180	IN	8.50	3.45	9.00	23.53	12.38	3.75	7.25	.53, SLOT	6.38	18.25
	MM	216	88	229	598	314	95	184	13 SLOT	162	464
220	IN	8.50	3.69	9.00	24.27	12.38	3.75	7.25	.53, SLOT	6.38	18.49
	MM	216	94	229	616	314	95	184	13 SLOT	162	470
210	IN	12.00	3.45	11.63	27.08	13.88	5.25	8.00	.66, SLOT	6.88	21.24
	MM	305	88	295	688	353	133	203	17 SLOT	175	539
320	IN	12.00	3.84	11.63	27.66	13.88	5.25	8.00	.66, SLOT	6.88	21.92
	MM	305	98	295	703	353	133	203	17 SLOT	175	557

QP1 DIMENSIONS

L	M	N	Port Size	P	Q	Key	R	S	OAH	Weight	
2.12	2.00	4.21	1"	2.79	0.875	0.1875	3.49	6.97	8.30	LB	60
54	51	107	25	71	22.2	4.76	89	177	211	KG	27
2.12	2.00	4.21	1½"	2.79	0.875	0.1875	3.49	6.97	8.30	LB	60
54	51	107	38	71	22.2	4.76	89	177	211	KG	27
2.12	2.00	4.21	1½"	3.02	0.875	0.1875	3.55	7.09	8.30	LB	64
54	51	107	38	77	22.2	4.76	90	180	211	KG	29
2.62	2.32	5.21	1½"	3.84	1.25	0.250	4.25	8.50	10.29	LB	130
67	59	132	38	98	31.8	6.35	108	216	261	KG	59
2.62	2.32	5.21	2"	4.00	1.25	0.250	4.31	8.62	10.29	LB	140
67	59	132	51	102	31.8	6.35	109	219	261	KG	64
3.50	2.25	7.31	2½"	5.01	1.625	0.375	5.37	10.75	15.31	LB	285
89	57	186	64	127	41.3	9.53	136	273	389	KG	129
3.50	2.25	7.31	3"	5.65	1.625	0.375	5.37	10.75	15.31	LB	305
89	57	186	76	144	41.3	9.53	136	273	389	KG	138
4.50	2.75	9.38	4"	4.44	2.00	0.500	6.63	13.25	19.13	LB	565
114	70	238	102	113	50.8	12.70	168	337	486	KG	256
5.06	4.06	10.38	6" 150# FLG	5.37	2.375	0.625	8.00	16.00	22.38	LB	900
129	103	264		136	60.3	15.88	203	406	568	KG	408
5.06	4.06	10.38	6" 150# FLG	5.37	2.375	0.625	8.00	16.00	22.38	LB	900
129	103	264		163	60.3	15.88	203	406	568	KG	408

QP2 DIMENSIONS

L	M	N	Port Size	P	Q	Key	R	S	OAH	Weight	
2.12	2.00	4.21	1"	2.79	0.875	0.1875	3.49	6.97	8.30	LB	56
54	51	107	25	71	22.2	4.76	89	177	211	KG	25
2.12	2.00	4.21	1½"	2.79	0.875	0.1875	3.49	6.97	8.30	LB	60
54	51	107	38	71	22.2	4.76	89	177	211	KG	27
2.12	2.00	4.21	1½"	3.02	0.875	0.1875	3.49	6.97	8.30	LB	65
54	51	107	38	77	22.2	4.76	89	177	211	KG	30
2.62	2.32	5.21	1½"	3.84	1.25	0.250	4.25	8.50	10.29	LB	130
67	59	132	38	98	31.8	6.35	108	216	261	KG	59
2.62	2.32	5.21	2"	4.00	1.25	0.250	4.31	8.62	10.29	LB	140
67	59	132	51	102	31.8	6.35	109	219	261	KG	64
3.50	2.25	7.31	2"	4.73	1.625	0.375	5.37	10.75	15.31	LB	265
89	57	186	51	120	41.3	9.53	136	273	389	KG	120
3.50	2.25	7.31	2½"	5.01	1.625	0.375	5.37	10.75	15.31	LB	285
89	57	186	64	127	41.3	9.53	136	273	389	KG	129
3.50	2.25	7.31	3"	5.65	1.625	0.375	5.37	10.75	15.31	LB	305
89	57	186	76	144	41.3	9.53	136	273	389	KG	138
4.50	2.75	9.38	3"	4.20	2.00	0.500	6.53	13.06	19.13	LB	520
114	70	238	76	107	50.8	12.70	166	332	486	KG	236
4.50	2.75	9.38	4"	4.44	2.00	0.500	6.63	13.25	19.13	LB	590
114	70	238	102	113	50.8	12.70	168	337	486	KG	268
5.06	4.06	10.38	4"	4.70	2.38	0.625	7.38	14.75	22.38	LB	802
129	103	264	102	119	60.5	15.88	187	375	568	KG	364
5.06	4.06	10.38	6" 150# FLG	5.09	2.38	0.625	8.00	16.00	22.38	LB	850
129	103	264		129	60.5	15.88	203	406	568	KG	386



# QP SERIES

INTERCHANGEABLE CIRCUMFERENTIAL PISTON PUMPS

## RENOVATION PROGRAM

The Remanufacturing Program provides a remanufactured pump with completely new shafts, bearings, seals, helical style gears and Alloy 88 rotors , allowing customers to purchase a new pump with a significant saving.

## PREMIUM ECONOMY

The Premium Economy or PE program is designed for customers who need immediate delivery or who demand lower costs for a premium quality pump.

This program allows you to enjoy the benefits of the QP Series pumps, at an excellent price.

MODELS

Cross Reference	
Q-Pumps	Other Brands
QP1	Universal1 / TRA10 / ZP1
QP2	Universal1 / TRA10 / ZP1

Distributed by:



For more information:  
call us +1 (956) 686-1464